

Awning Windows

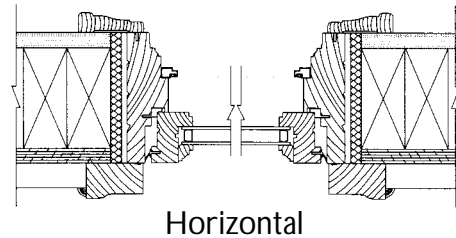
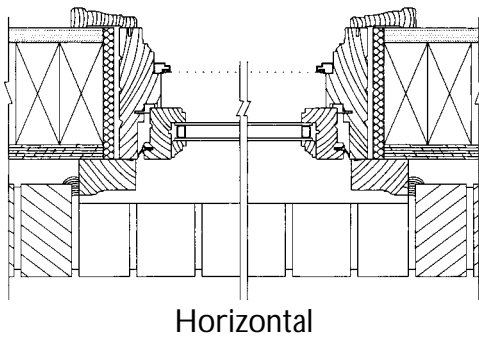
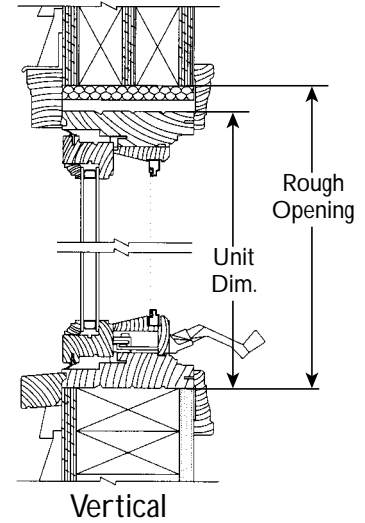
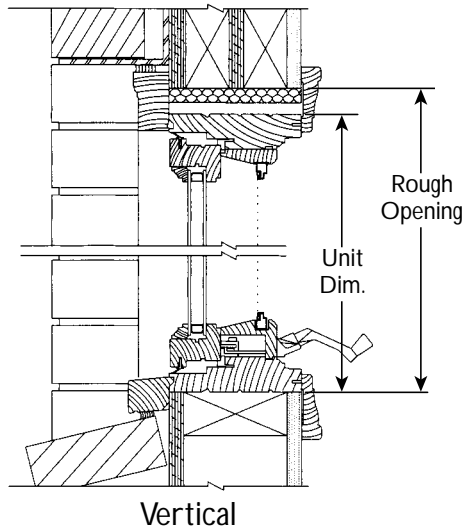
	ACT 24	ACT 30	ACT 32	ACT 36	ACT 42	ACT 48
	ATR 24	ATR 30	ATR 32	ATR 36	ATR 42	ATR 48
	A 2414	A 3014	A 3214	A 3614	A 4214	A 4814
	A 2420	A 3020	A 3220	A 3620	A 4220	A 4820
	A 2424	A 3024	A 3224	A 3624	A 4224	A 4824
	A 2430	A 3030	A 3230	A 3630	A 4230	A 4830
ROUGH OPENING	2'-6 3/4"	2'-0 3/4"	2'-8 3/4"	2'-2 3/4"	2'-10 3/4"	1'-4 3/4"
BRICK MOLD DIM.	2'-6"	2'-0"	2'-8"	2'-2"	2'-10"	1'-4"
UNIT DIM.	26 5/16"	20 5/16"	26 5/16"	20 5/16"	26 5/16"	20 5/16"
GLASS	20 1/2"	26 1/2"	32 1/2"	32 1/2"	38 1/2"	44 1/2"
	2'-0"	2'-6"	2'-8"	3'-0"	3'-6"	4'-0"
	2'-1 5/16"	2'-7 5/16"	2'-9 5/16"	3'-1 5/16"	3'-7 5/16"	4'-1 5/16"
	2'-0 1/2"	2'-6 3/4"	2'-8 3/4"	3'-0 3/4"	3'-6 3/4"	4'-0 3/4"

Primed Wood Awnings

FEATURES

- Primed wood exteriors ready for paint or stain
- Standard 5/8 insulated glass manufactured to meet today's changing climates
- White or bronze hardware
- White or bronze screens available

Awning Windows



Section Details
4-9/16" Masonry Wall
Not to Scale

Section Details
4-9/16" Wood Siding
Not to Scale

